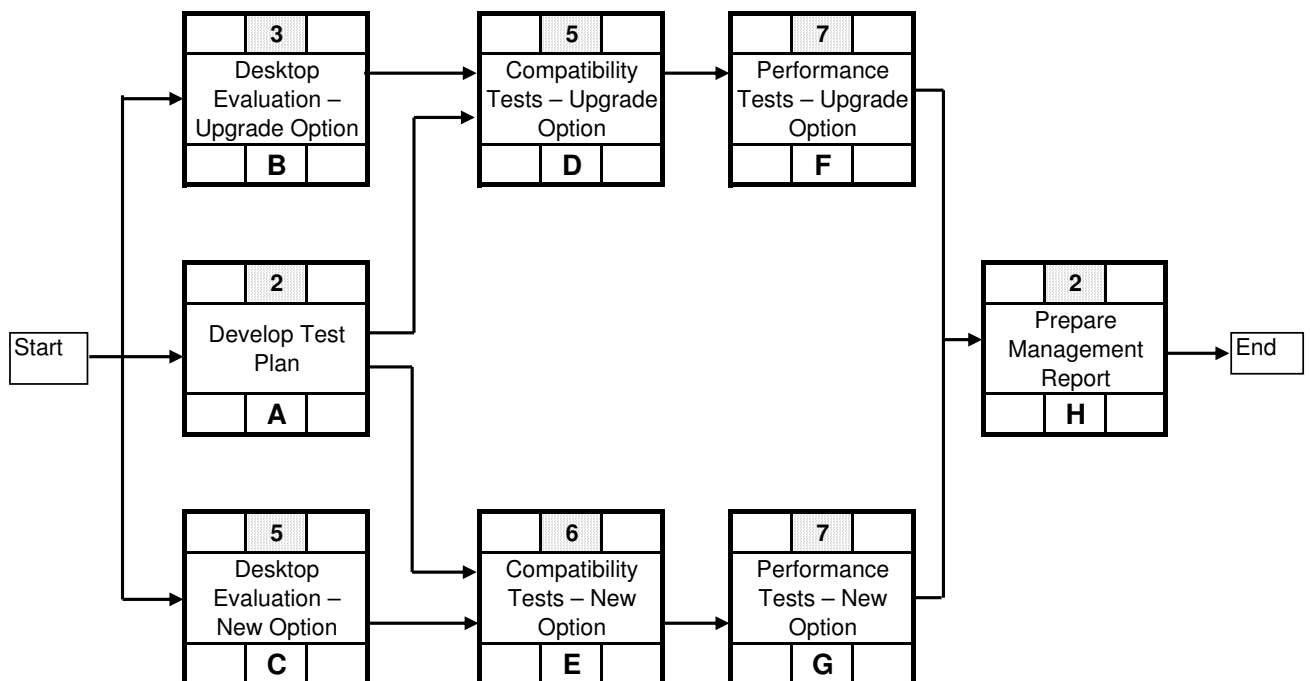


# HOW TO Develop an effective schedule

## Base Logic For Calculations



Resource 1 (Manager) Tasks A and H

Resource 2 (Evaluator) Tasks B and C

Resource 3 (Tester) Tasks D, E, F, and G

Course information: <http://www.mosaicprojects.com.au/Training-PMGen%205-STEPS.html>